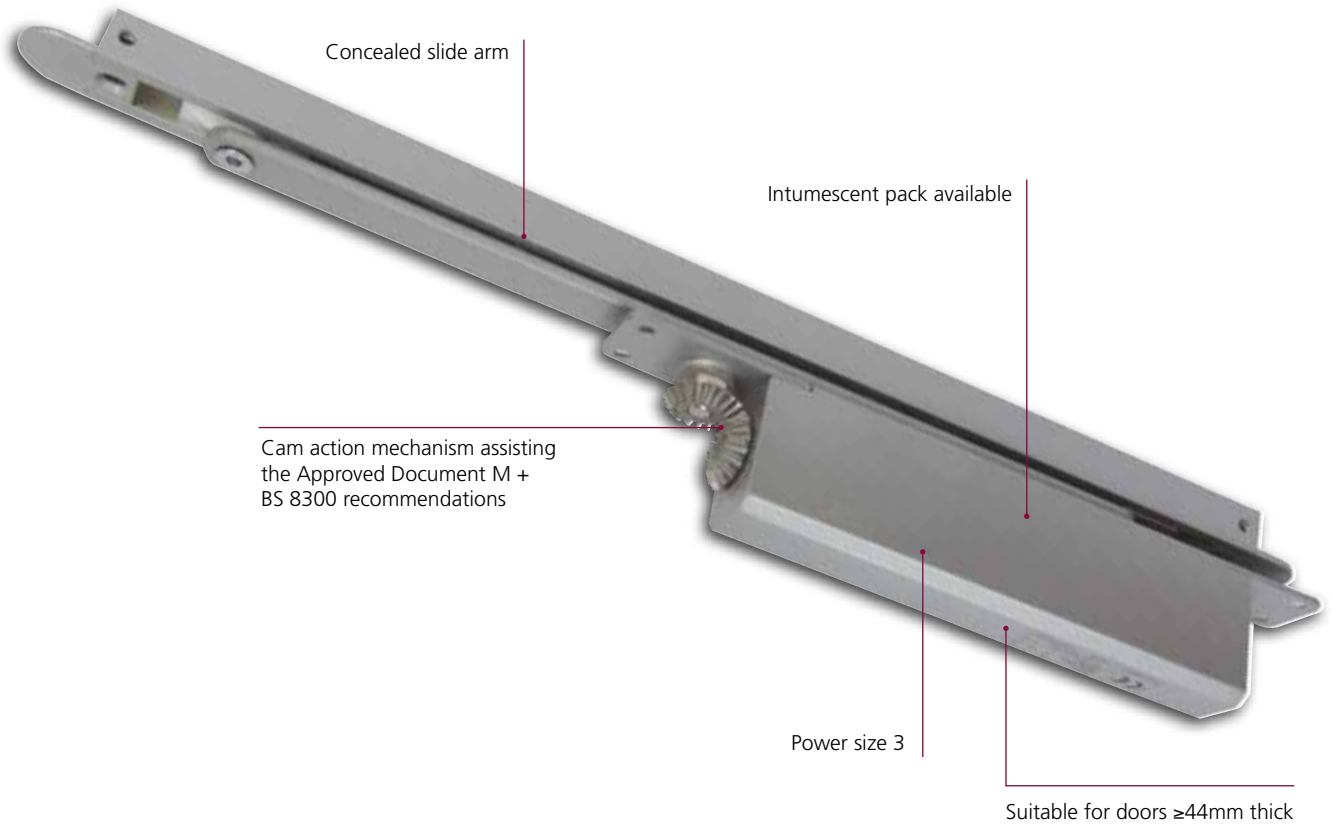


ITS.11204

DESIGNER RANGE

Concealed Slide Arm



#DesignerDoorCloserthatLast



Silver (SE)



Satin Nickel Plate (SNP)



Polished Nickel Plate (PNP)



Electro Brass (PVD)



Antique Brass (AB)

Product Overview

- ✓ Concealed Cam & Roller Mechanism
- ✓ Suitable for 44mm Doors
- ✓ Power Adjustable 2-4, tested to EN3
- ✓ Assists Document M and BS 8300
- ✓ Temperature stable hydraulic oil – used between -30°C - $+60^{\circ}\text{C}$
- ✓ Easy to read instructions, saving over 12 minutes of fitting time



1121

Specification Overview



Fire Tested
up to 60 mins



Max Door Weight
up to 60kg



Opening Angle
110°



Max Door Width
950mm



Min Door
Thickness 44mm



Adjustable
Closing Speed



11204CPR01.07.13



Universal
Application



Power Size
EN3



Adjustable
Latch Speed



Guarantee

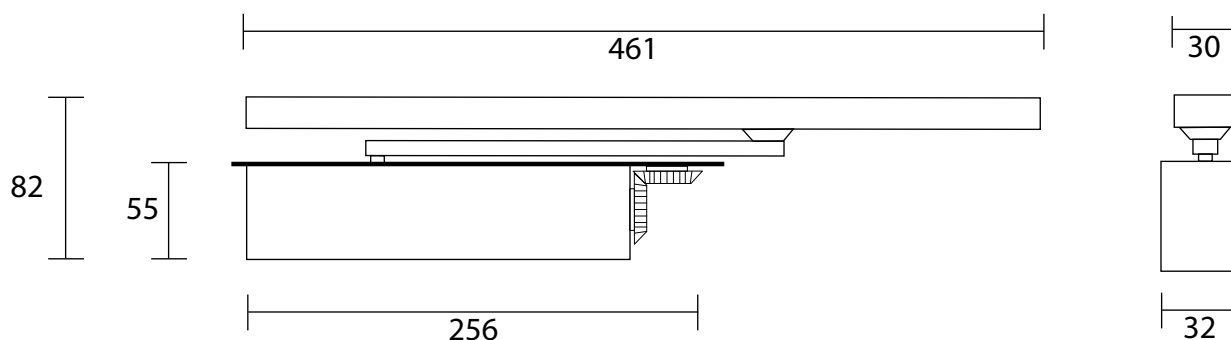


Min Door
835mm



Rut Lock

All dimensions shown are in mm.



Technical Information

BS EN 1154 Classification

ITS.11204 door closers have been independently tested to conform with the EN 1154 performance standard. They are CE marked and classified as follows:

3 8 3 1 1 3

BS EN 1634 Fire Test

ITS.11204 closers have been tested to EN 1634 requirements up to 60 minutes– please specify intumescent gasket IP.114. Test certificates are available on request.

ADA Compliant

Fire doors shall have a minimum opening force allowable by the appropriate administration authority, and doors other than fire doors 5 pounds maximum opening force (22.2N) from push or pull side.

FIRE DOORS

Intumescent **MUST** be used on fire doors – please enquire for latest testing details.

Options

- Mechanical hold open slide rail (*Not to be used on fire doors*)
- EN2 & EN4

Options not covered by CE.